

Features

- 75 Ohm Impedance
- Positive Voltage Control (0 / +5 V)
- Input Terminated (Off State)
- Low Insertion Loss: 0.62 dB at 870 MHz
- High Isolation: 54 dB at 870 MHz
- 3 mm FQFP-N 12 Lead Package
- 0.5 micron GaAs PHEMT Process

Description

M/A-COM's MASWSS0067 is a GaAs PHEMT MMIC single pole single throw (SPST) switch in a low cost 3 mm FQFP-N 12 lead package. The MASWSS0067 is ideally suited for applications where low control voltage, low insertion loss, high isolation, small size and low cost are required. Typical applications are to replace mechanical relays in CATV systems. This part can be used in all 75 ohm systems operating up to 1.0 GHz.

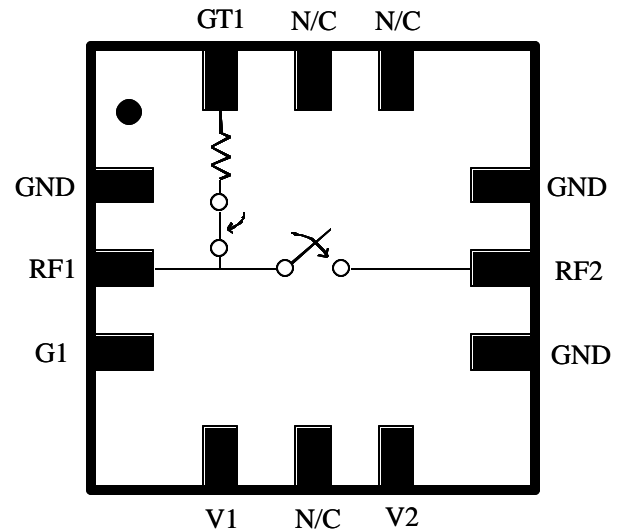
The MASWSS0067 is fabricated using a 0.5 micron gate length GaAs PHEMT process. The process features full passivation for performance and reliability.

Ordering Information ¹

Part Number	Package
MASWSS0067	FQFP-N 12-lead Plastic Package
MASWSS0067TR	7 inch, 1000 piece reel
MASWSS0067TR-3000	13 inch, 3000 piece reel
MASWSS0067SMB	Sample Test Board (Includes 5 Samples)

1. Reference Application Note M513 for reel size information.

Functional Schematic



Pin Configuration ²

PIN No.	PIN Name	Description
1	GND	Ground
2	RF1	RF In
3	G1	RF Ground
4	V1	Control 1
5	N/C	No Connection
6	V2	Control 2
7	GND	Ground
8	RF2	RF Out
9	GND	Ground
10	N/C	No Connection
11	N/C	No Connection
12	GT1	RF Ground

2. The exposed pad centered on the package bottom must be connected to both RF and DC ground.

Electrical Specifications: $T_A = 25^\circ\text{C}$, $V_C = 0\text{V} / 5\text{V}$, $Z_0 = 75 \Omega$ ³

Parameter	Test Conditions	Units	Min.	Typ.	Max.
Insertion Loss	5 - 50 MHz	dB		0.45	0.9
	50 - 1000 MHz				
Isolation	5 - 50 MHz	dB	50	70	
	50 - 1000 MHz				
Return Loss (On)	5 - 50 MHz	dB		30	
	50 - 1000 MHz				
Return Loss (Off) (RF1 only)	5 - 50 MHz	dB		30	
	50 - 1000 MHz				
IP3	Two Tone, +10 dBm / tone, 6 MHz Spacing, > 50 MHz	dBm		52	
Trise, Tfall	10% to 90% RF, 90% to 10% RF	nS		20	
Ton, Toff	50% control to 90% RF, and 50% control to 10% RF	nS		40	
Transients	In Band	mV		30	
Control Current	$ V_C = 5\text{V}$	μA		10	25

3. External DC blocking capacitors are required on all RF ports.

Absolute Maximum Ratings ⁴

Parameter	Absolute Maximum
Max Input Power (5 - 1000 MHz, 2.5V Control)	+32 dBm
Operating Voltage	+8.5 volts
Operating Temperature	-40 °C to +85 °C
Storage Temperature	-65 °C to +150 °C

4. Exceeding any one or combination of these limits may cause permanent damage to this device.

Truth Table ⁵

V1	V2	RF1—RF2
1	0	On
0	1	Off

5. 0 = 0 V \pm 0.2 V; 1 = +2.5 V to +5.0 V.

Qualification

Qualified to M/A-COM Specification Rel 201, Process Flow -2.

Handling Procedures

Please observe the following precautions to avoid damage:

Static Sensitivity

Gallium arsenide integrated circuits are sensitive to electrostatic discharge (ESD) and can be damaged by static electricity. Use proper ESD control precautions when handling these devices.

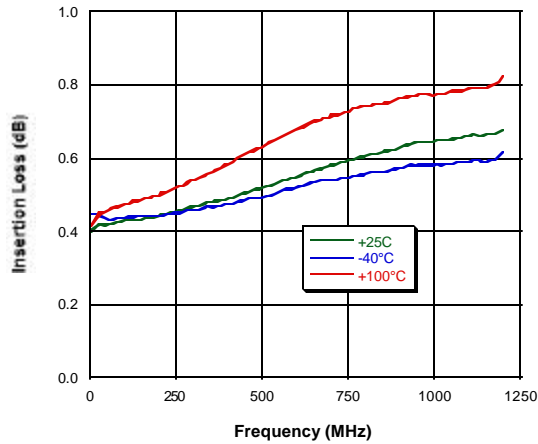
M/A-COM Inc. and its affiliates reserve the right to make changes to the product(s) or information contained herein without notice.

Visit www.macom.com for additional data sheets and product information.

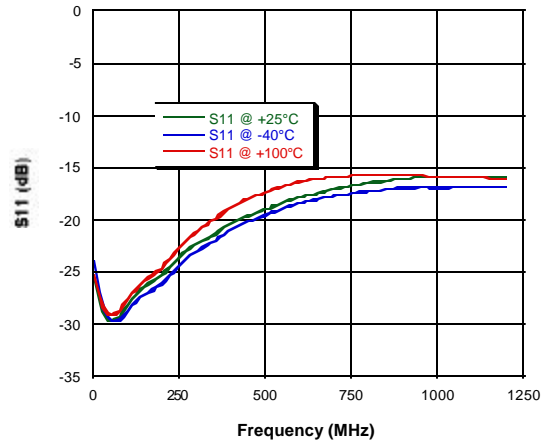
■ **North America:** Tel. (800) 366-2266
 ■ **Asia/Pacific:** Tel. +81-44-844-8296, Fax +81-44-844-8298
 ■ **Europe:** Tel. +44 (1908) 574 200, Fax +44 (1908) 574 300

Typical Performance Curves

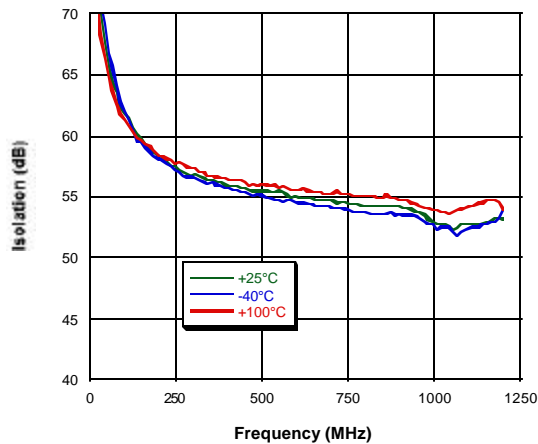
Insertion Loss vs. Frequency over Temperature



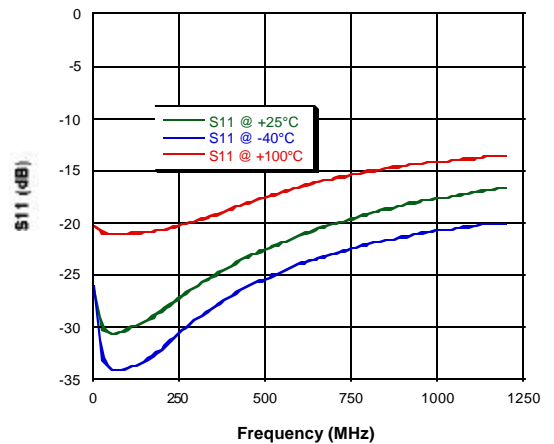
S11 (Switch On) vs. Frequency over Temperature



Isolation vs. Frequency over Temperature



S11 (Switch Off) vs. Frequency over Temperature

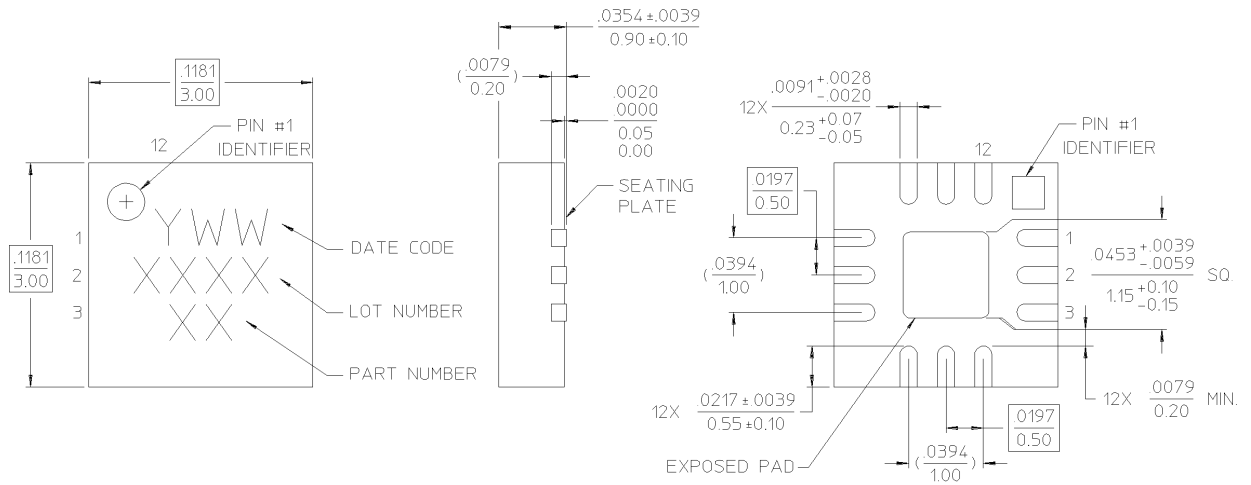


M/A-COM Inc. and its affiliates reserve the right to make changes to the product(s) or information contained herein without notice.

Visit www.macom.com for additional data sheets and product information.

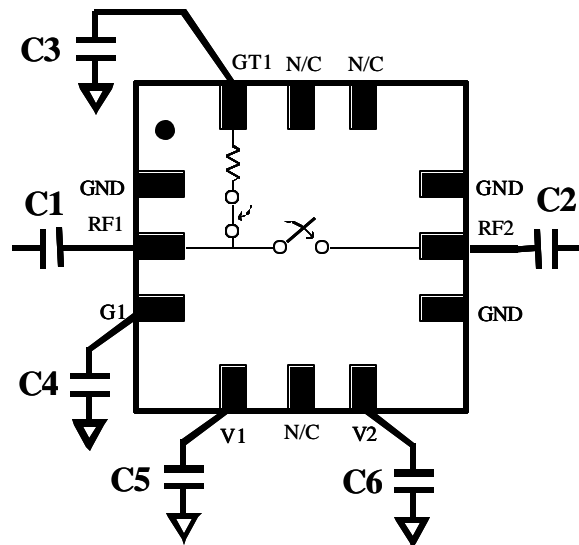
- North America: Tel. (800) 366-2266
- Asia/Pacific: Tel. +81-44-844-8296, Fax +81-44-844-8298
- Europe: Tel. +44 (1908) 574 200, Fax +44 (1908) 574 300

3 mm FQFP-N 12 Lead



- NOTES: 1. REFERENCE JEDEC MO-220, VAR. VEED-1 FOR ADDITIONAL DIMENSIONAL AND TOLERANCE INFORMATION.
 2. REFERENCE S2083 APPLICATION NOTE FOR PCB FOOTPRINT INFORMATION.
 3. ALL DIMENSIONS SHOWN AS INCHES/MM.

Application Schematic



C1 – C4 = 0.01 uF, DC Blocking Capacitors
 C5, C6 = 0.01 uF, Logic Control Decoupling Capacitors
 (All capacitors are Panasonic ECJ-OEF1H1032 or equivalent)

M/A-COM Inc. and its affiliates reserve the right to make changes to the product(s) or information contained herein without notice.

Visit www.macom.com for additional data sheets and product information.

- North America: Tel. (800) 366-2266
- Asia/Pacific: Tel. +81-44-844-8296, Fax +81-44-844-8298
- Europe: Tel. +44 (1908) 574 200, Fax +44 (1908) 574 300